

Load Break Switch

BRG SERIES



Product Features

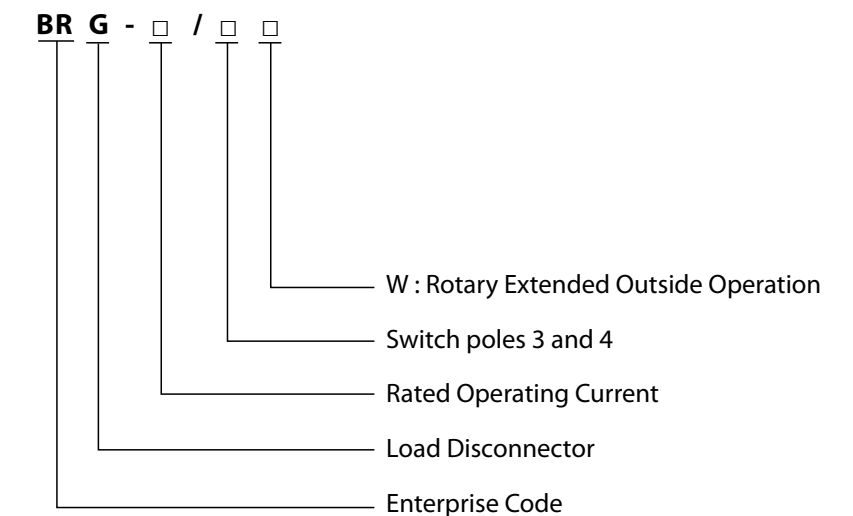


1. Scope of application

BRG series load disconnectors are suitable for distribution networks with AC 50Hz, rated working voltage up to 400V and rated operating current up to 1600A. In distribution networks, BRG series load disconnectors are mainly used for infrequent switching-on and disconnecting circuits and isolating power supply, as well as frequent switching-on and disconnecting circuits.

Standard: GB 14048.3, IEC 60947-3.

2. Model and Meaning



For Examples:
BRG-63/3W front middle operation 63A disconnector, three poles, extended pole cabinet outside operation.

3. Normal Working and Installation Conditions

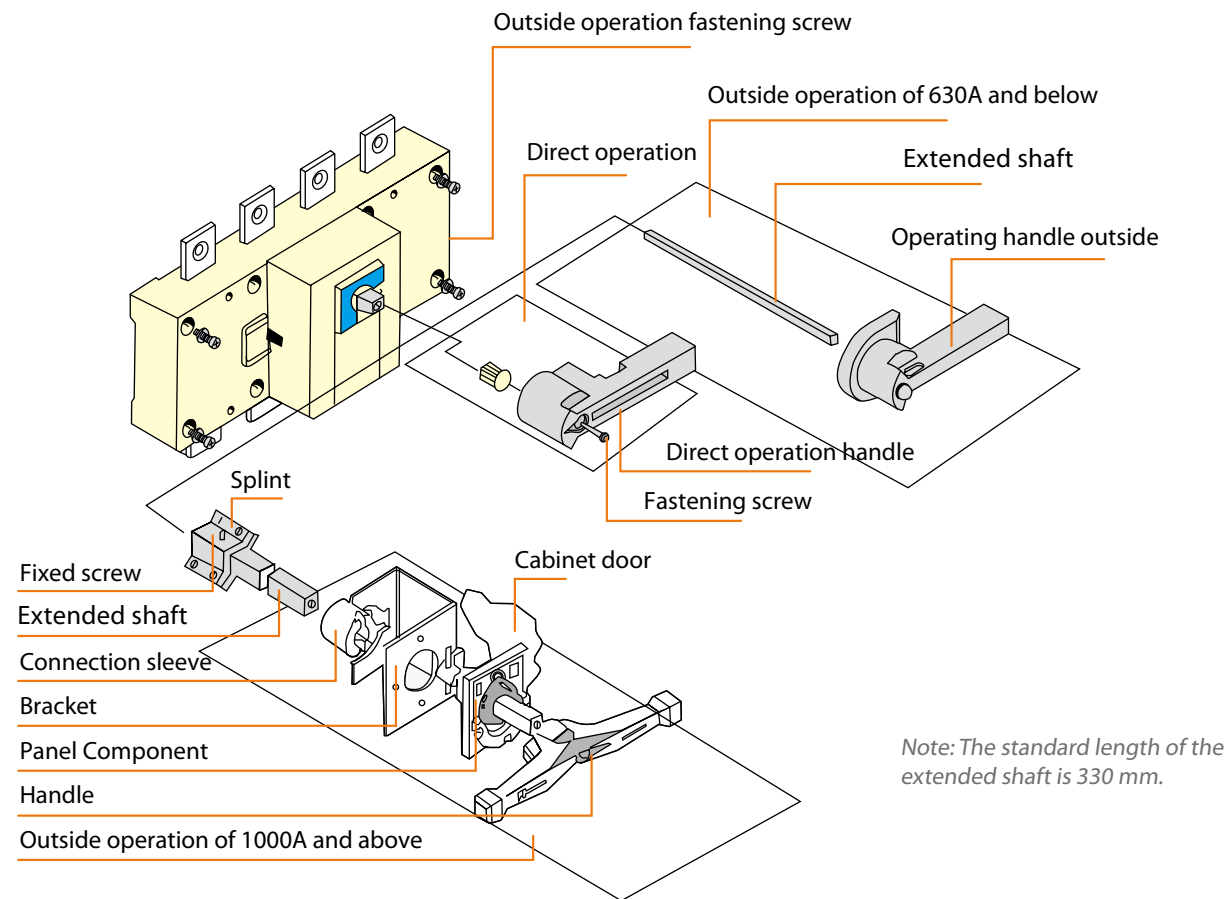
- The ambient air temperature is not higher than 40°C, not lower than - 5°C;
- Installation site not exceeding 2000m above sea level;
- Humidity:
When the maximum temperature is 40°C, the relative humidity of air is not more than 50%. Higher relative humidity can be allowed at lower temperatures, such as 90% at 20°C. Special measures should be taken for occasional condensation due to temperature changes;
- The pollution level of the surrounding environment is 3;
- Switches shall be installed in places without significant shaking, impact vibration and rain or snow attack, and shall be installed in places free of explosive hazardous media, and free of gas and dust sufficient to corrode metals and destroy insulation.

4. Main Technical Parameters

Term	Parameter			
Model Specification	BRG-63~160	BRG-200~250	BRG-315~630	BRG-1000~1600
Pole Number	3P/4P			
Ui (V)	750			
Ue (V)	400			
Uim (kV)	8		12	
Ith (A)	160	250	630	1600
Ie (A)	63, 100, 125, 160	200, 250	315, 400, 500, 630	1000, 1250, 1600
Icw(kA)	12		25	50
Icm(kA)	17	40		70
Use Categories	AC-23B			

5. Installation Mode

Installation method as shown in the figure, outside the cabinet operation needs to install a extended shaft, the handle (axis) and extended shaft (alignment) mounted on the panel (door) plate. Otherwise, the cabinet door is not easy to open and close, and the operation is laborious, and the operation mechanism is damaged. The length of the shaft is determined according to the installation distance from the product to the door panel and the length of the shaft extending into the handle (about 330 mm).



6. Ordering Information

S/N	ROV (V)	Intermediate Operation		Rated Operating Current (A)	Pole Number
		Model			
		In-cabinet operation	Extension rod cabinet outside operation		
1	AC400	BRG-63/3	BRG-63/3W	63	3
2		BRG-100/3	BRG-100/3W	100	
3		BRG-125/3	BRG-125/3W	125	
4		BRG-160/3	BRG-160/3W	160	
5		BRG-200/3	BRG-200/3W	200	
6		BRG-250/3	BRG-250/3W	250	
7		BRG-315/3	BRG-315/3W	315	
8		BRG-400/3	BRG-400/3W	400	
9		BRG-500/3	BRG-500/3W	500	
10		BRG-630/3	BRG-630/3W	630	
11		BRG-1000/3	BRG-1000/3W	1000	
12		BRG-1250/3	BRG-1250/3W	1250	
13		BRG-1600/3	BRG-1600/3W	1600	
14		BRG-63/4	BRG-63/4W	63	4
15		BRG-100/4	BRG-100/4W	100	
16		BRG-125/4	BRG-125/4W	125	
17		BRG-160/4	BRG-160/4W	160	
18		BRG-200/4	BRG-200/4W	200	
19		BRG-250/4	BRG-250/4W	250	
20		BRG-315/4	BRG-315/4W	315	
21		BRG-400/4	BRG-400/4W	400	
22		BRG-500/4	BRG-500/4W	500	
23		BRG-630/4	BRG-630/4W	630	
24		BRG-1000/4	BRG-1000/4W	1000	
25		BRG-1250/4	BRG-1250/4W	1250	
26		BRG-1600/4	BRG-1600/4W	1600	

7. Shape and Installation Dimensions

- BRG- 63~630 series shape and Installation Dimension of Intermediate Operating Isolation Switch



BRG-160/3



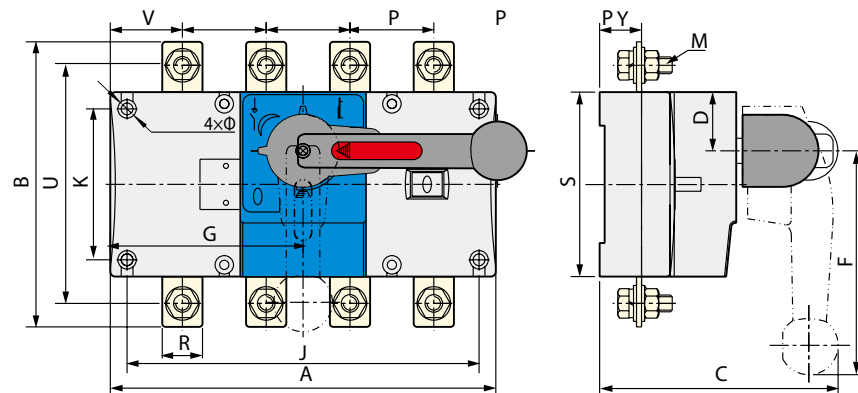
BRG-250/3



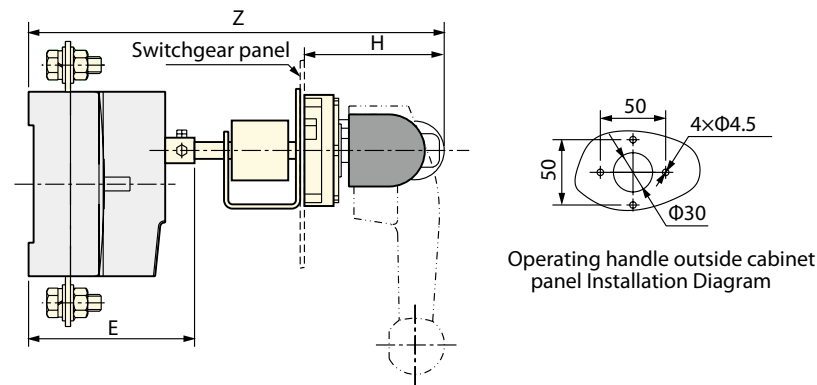
BRG-250/3W



BRG-630/3



In-cabinet operation



Outside operation

Operating handle outside cabinet panel Installation Diagram

Model	BRG-XX BRG-XX/W shape and installation dimensions (mm)																		
	A	B	C	D	E	F	φ	J	H	K	G	P	R	S	U	M	V	Y	Z
BRG-63~160/3	140	135	130	27	93	135	5.5	120	85	65	54	36	20	85	115	8	33	24	355~460
BRG-63~160/4	170	135	130	27	93	135	5.5	150	85	65	79	36	20	85	115	8	32	24	355~460
BRG-200~250/3	180	170	145	35	103	135	6.5	160	85	90	60	50	25	110	142	10	44	25	365~470
BRG-200~250/4	230	170	145	35	103	135	6.5	210	85	90	110	50	25	110	142	10	38	25	365~470
BRG-315~630/3	230	260	195	50	135	160	7	210	105	140	84	65	40	160	220	12	53	37	440~555
BRG-315~630/4	290	260	195	50	135	160	7	270	105	140	144	65	40	160	220	12	48	37	440~555

- BRG- 1000~1600 series shape and Installation Dimension of Intermediate Operating Isolation Switch



BRG-1000/3



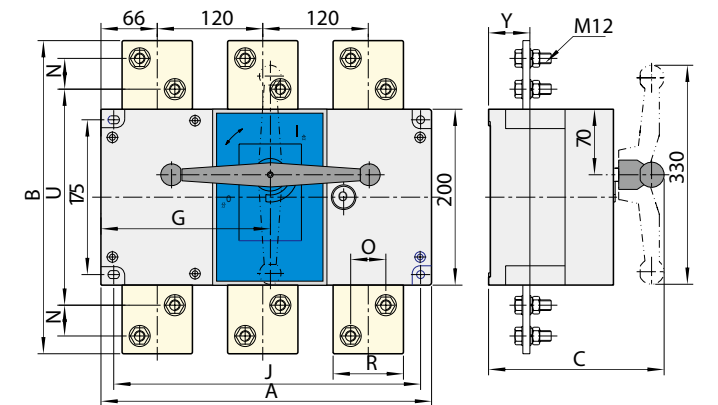
BRG-1250/3
BRG-1600/3



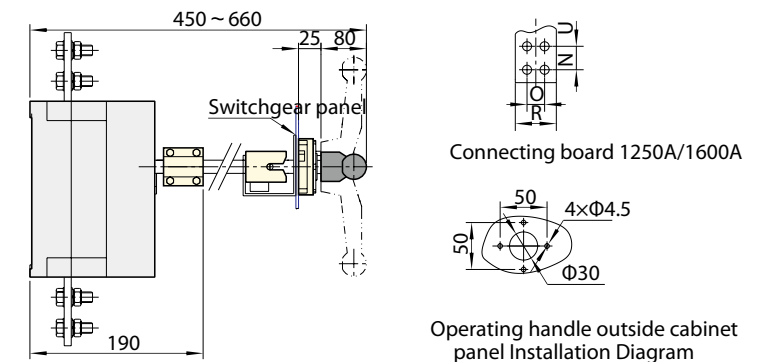
BRG-1000/4



BRG-1250/4
BRG-1600/4



In-cabinet operation



Outside operation

Connecting board 1250A/1600A

Operating handle outside cabinet panel Installation Diagram

Model	BRG-XX BRG-XX/W shape and installation dimensions(mm)									
	A	B	C	G	J	N	R	O	U	Y
BRG-1000A/3	378	316	240	192.5	353	20	60	35	240	48
BRG-1250A/3	378	356	240	192.5	353	35	70	40	246	48
BRG-1600A/3	378	356	240	192.5	353	35	80	40	246	48
BRG-1000A/4	498	316	240	252.5	473	20	60	35	240	48
BRG-1250A/4	498	356	240	252.5	473	35	70	40	246	48
BRG-1600A/4	498	356	240	252.5	473	35	80	40	246	48



PT. AUSTRALINDO GRAHA NUSA

LELCO Building

Jl. Tomang Raya No. 14
Jakarta 11430 - Indonesia

Tel. +62(21) 560 5678

Fax. +62(21) 567 3402

marketing@australindo.co.id

www.australindo.co.id