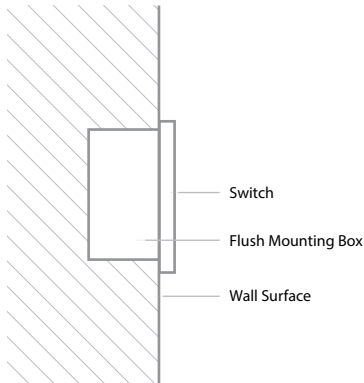




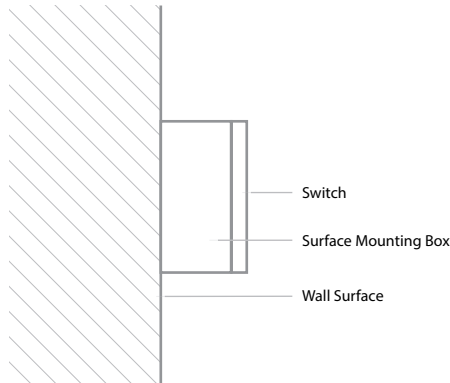
TECHNICAL
INFORMATION

MOUNTING BOX & ACCESSORIES

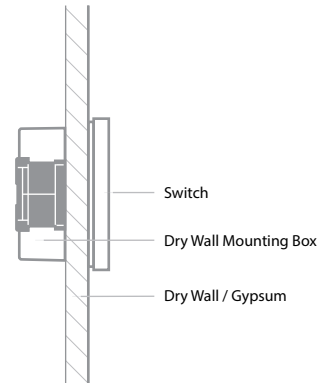
Flush Mounting



Surface Mounting



Dry Wall



Selection Guide

SERIES	FLUSH MOUNTING							SURFACE MOUNTING				DRY WALL MOUNTING	
	B157P	B157	BT157	BT157D	B4157P	B4157	B8157P	B238	BT238	B20238	B8238	B157G	BT157G
B10							●						
B20	●	●	●	●						●		●	●
B30	●	●	●	●				●	●			●	●
B80							●				●		
B1000	●	●	●	●				●	●			●	●
B2000	●	●	●	●				●	●			●	●
B2000L	●	●	●	●				●	●			●	●
B3000	●	●	●	●				●	●			●	●
B4000					●	●							
B6000	●	●	●	●				●	●			●	●

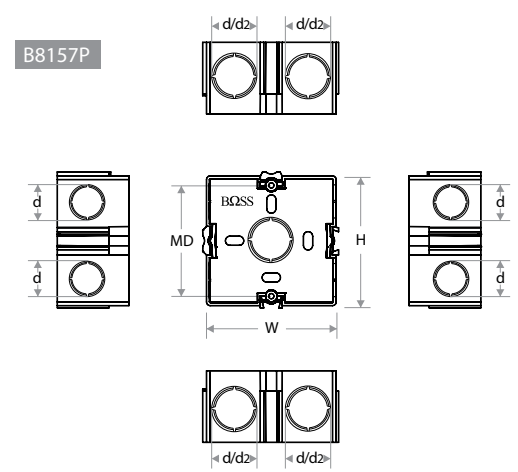
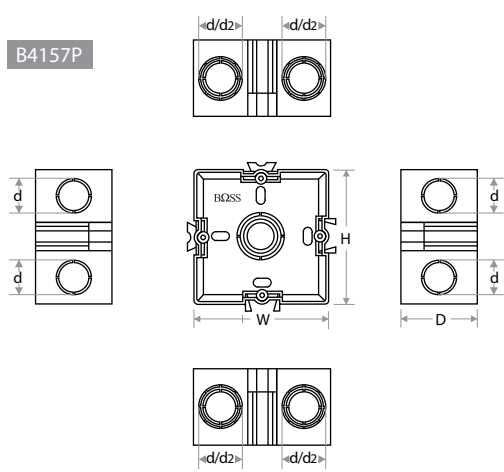
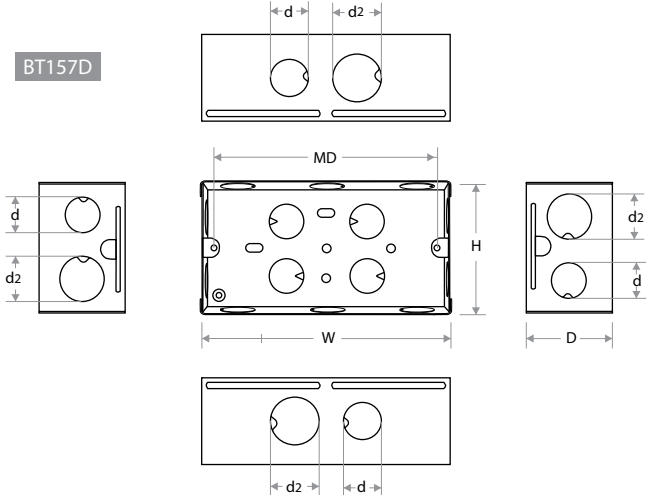
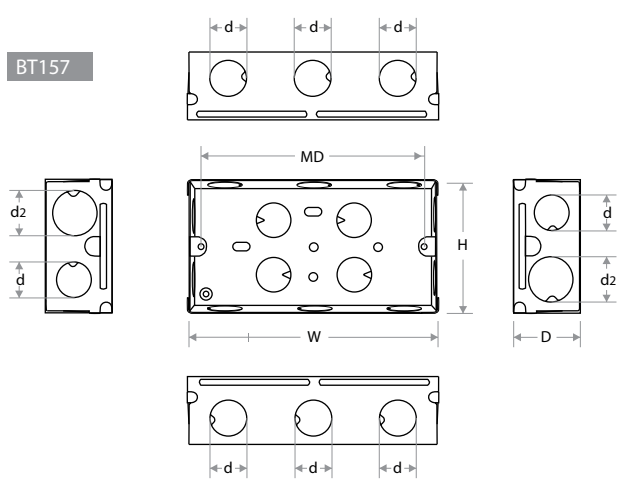
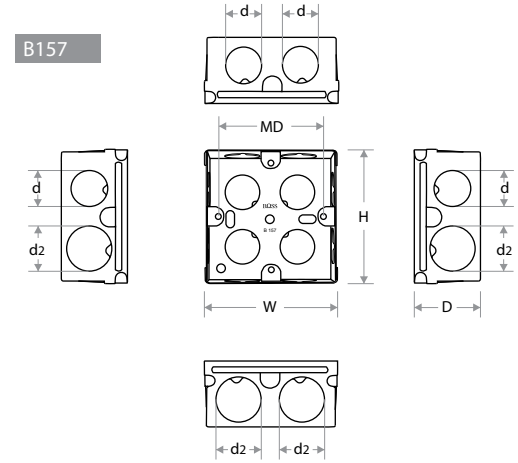
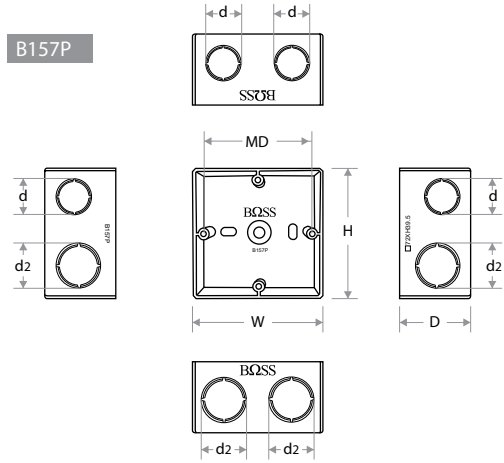
* All models of "2A - USB charger" and "Universal socket w/ USB Charger" only compatible with B157.

** B157, B157P for multigang surround need to use connector B157C20 and B157C25.

Flush Mounting Box

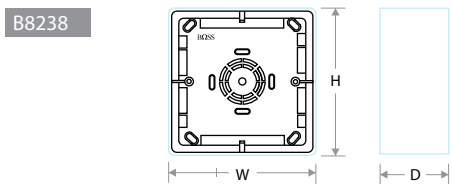
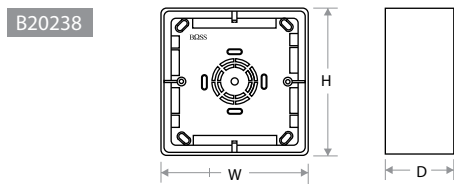
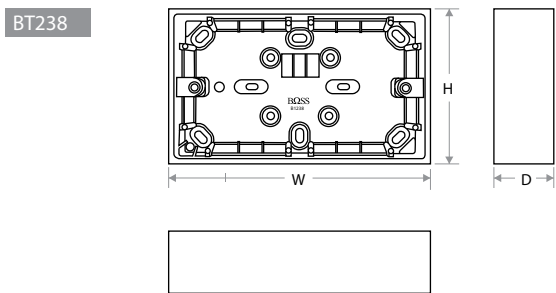
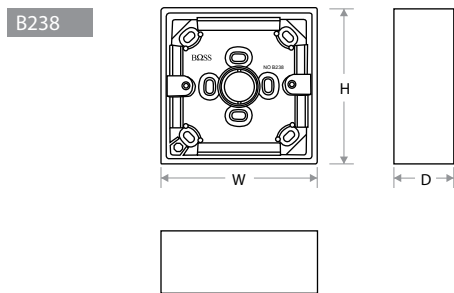
ORDER CODE	MATERIAL		W	H	D	d	d2	MD	MULTIGANG SURROUND CAPABILITY
	PLASTIC	METAL							
B157P	●		72	72	40	20	25	60.3	●
B157		●	72	72	37	20	25	60.3	●
BT157		●	135	72	37	20	25	120.6	
BT157D		●	135	72	47	20	25	120.6	
B4157P	●		70	70	39	20	25	60.3	●
B8157P	●		70	70	39	20	25	60.3	●

Flush Mounting Box



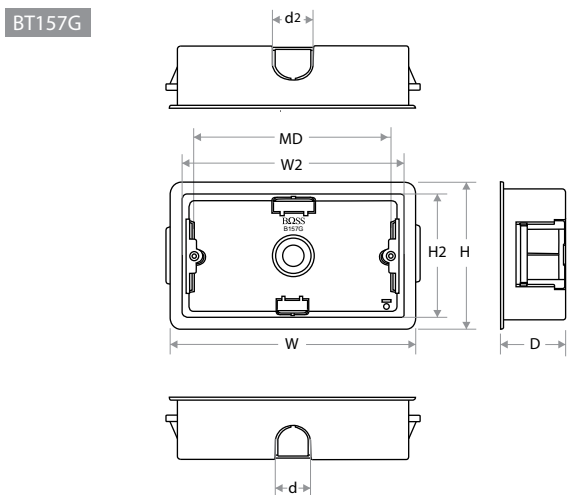
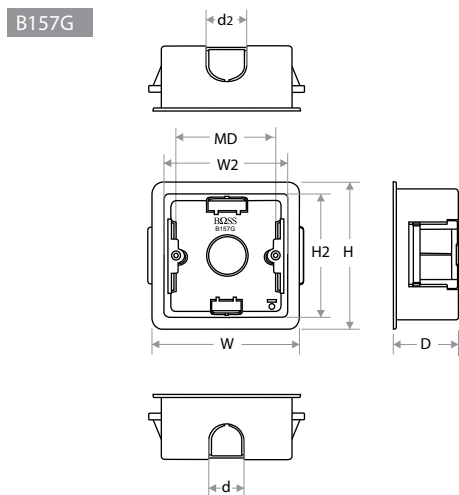
Surface Mounting Box

ORDER CODE	MATERIAL		W	H	D	MD
	PLASTIC	METAL				
B238	●		87	87	35	60.3
BT238	●		147	87	35	120.6
B20238	●		80	80	37	60.3
B8238	●		82	82	42	60.3



Dry Wall Mounting Box

ORDER CODE	MATERIAL		W	H	D	W2	H2	MD	d	d2
	PLASTIC	METAL								
B157G	●		84	84	36	74	74	60.3		
BT157G	●		143	84	36	134	74	120.6		

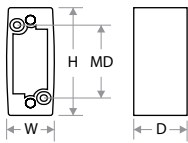


Architrave Mounting Box

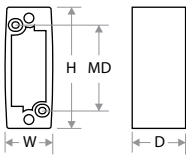
ORDER CODE	MATERIAL		W	H	D	MD
	PLASTIC	METAL				
B70/1	●		30	75	24	55
B70/2	●		30	84	24	70
B70/3	●		30	112	24	96
B70/4	●		30	140	24	124

* Apply to B30 Series only.

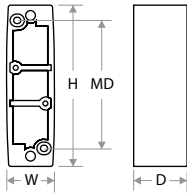
B70/1



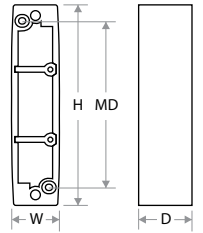
B70/2



B70/3

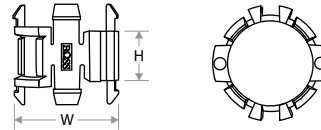


B70/4

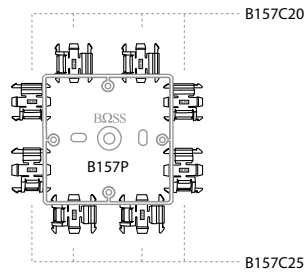
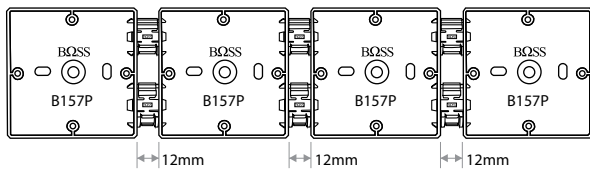


Mounting Box Spacer

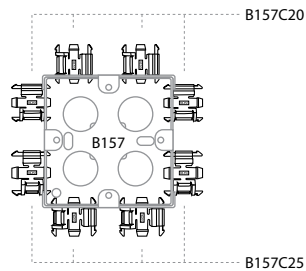
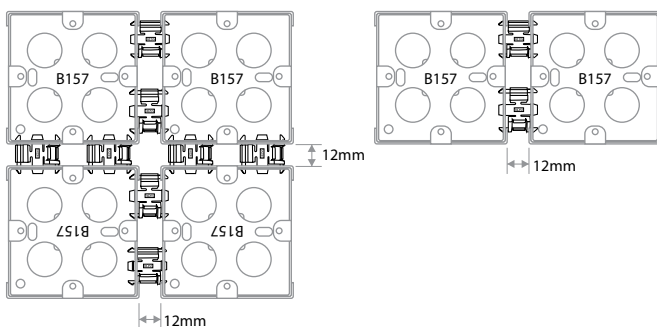
ORDER CODE	W	H
B157C20	20	12
B157C25	25	12



Application illustration on B157P



Application illustration on B157



Splash Cover

ORDER CODE	W	H	D	W2	H2	MD	IP RATING
B223 TR	101	122	46	76	76	60.3	55
BT223 TR	155	122	46	136	76	120.6	55

