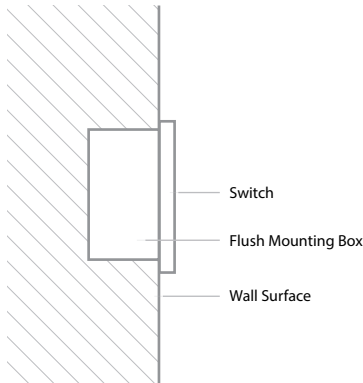




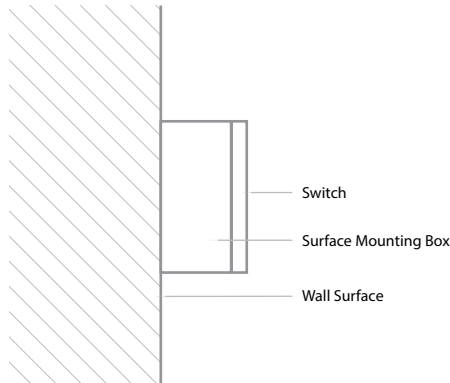
TECHNICAL
INFORMATION

**MOUNTING BOX &
ACCESSORIES**

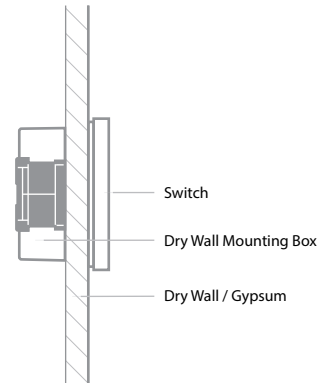
Flush Mounting



Surface Mounting



Dry Wall



Selection Guide

SERIES	FLUSH MOUNTING							SURFACE MOUNTING				DRY WALL MOUNTING	
	B157P	B157	BT157	BT157D	B4157P	B4157	B8157P	B238	BT238	B20238	B8238	B157G	BT157G
B10							●						
B20	●	●	●	●						●		●	●
B30	●	●	●	●				●	●			●	●
B80							●				●		
B1000	●	●	●	●				●	●			●	●
B2000	●	●	●	●				●	●			●	●
B2000L	●	●	●	●				●	●			●	●
B3000	●	●	●	●				●	●			●	●
B4000					●	●							
B6000	●	●	●	●				●	●			●	●

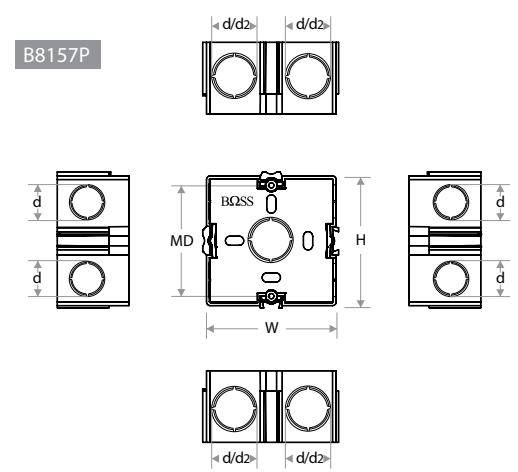
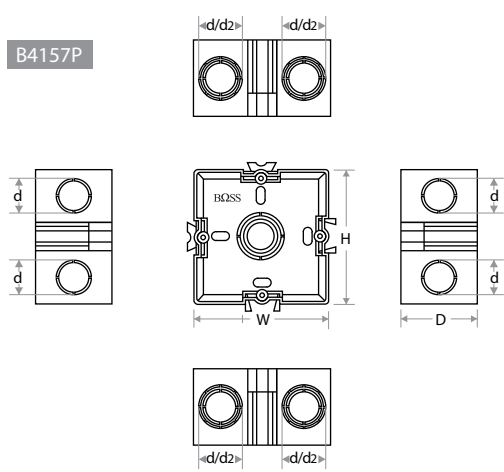
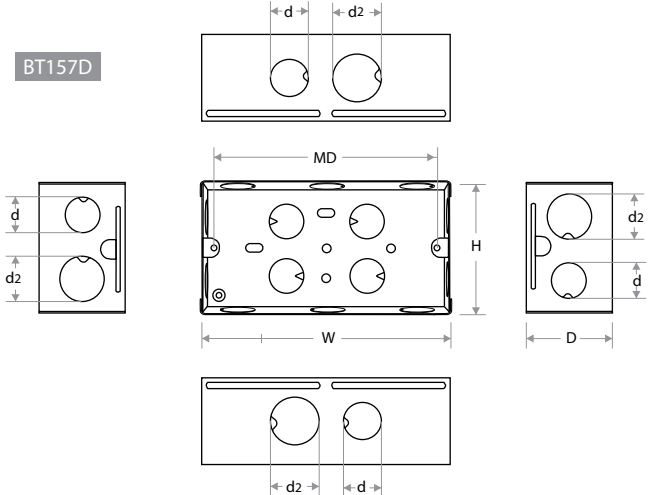
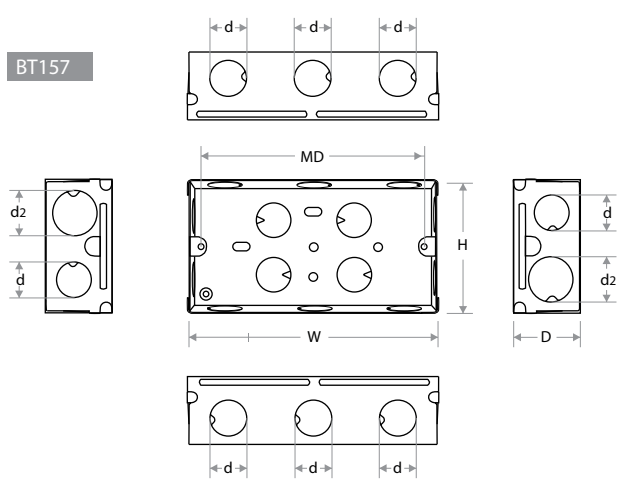
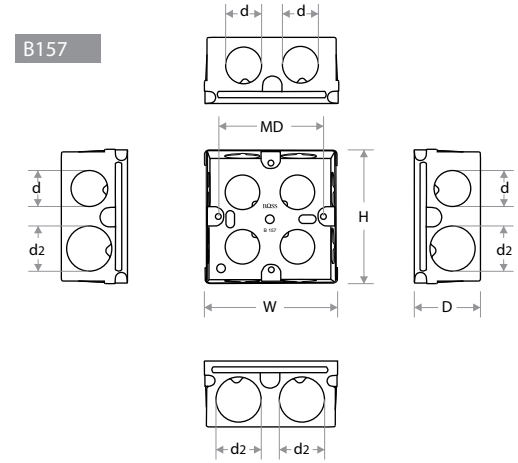
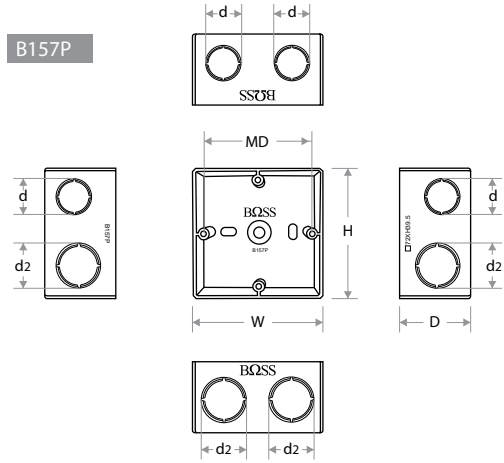
* All models of "2A - USB charger" and "Universal socket w/ USB Charger" only compatible with B157.

** B157, B157P for multigang surround need to use connector B157C20 and B157C25.

Flush Mounting Box

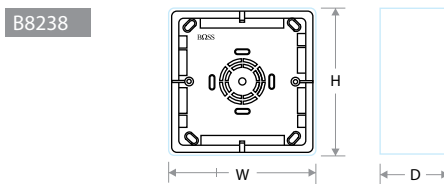
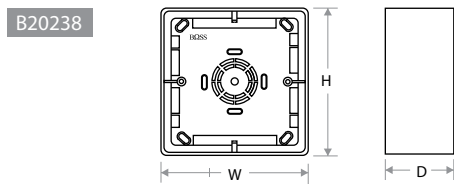
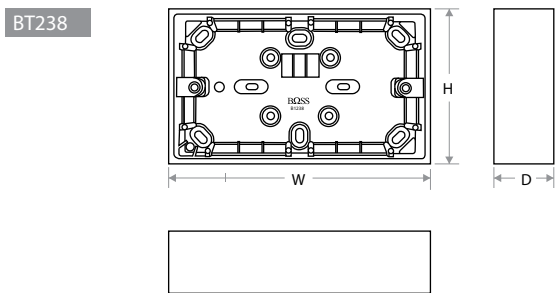
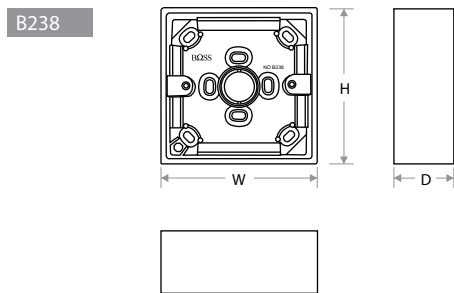
ORDER CODE	MATERIAL		W	H	D	d	d2	MD	MULTIGANG SURROUND CAPABILITY
	PLASTIC	METAL							
B157P	●		72	72	40	20	25	60.3	●
B157		●	72	72	37	20	25	60.3	●
BT157		●	135	72	37	20	25	120.6	
BT157D		●	135	72	47	20	25	120.6	
B4157P	●		70	70	39	20	25	60.3	●
B8157P	●		70	70	39	20	25	60.3	●

Flush Mounting Box



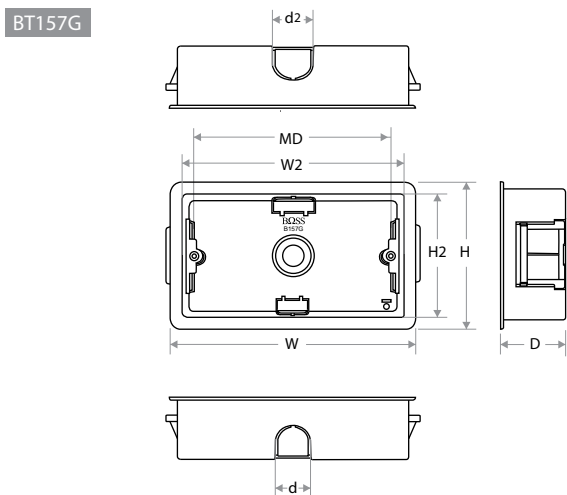
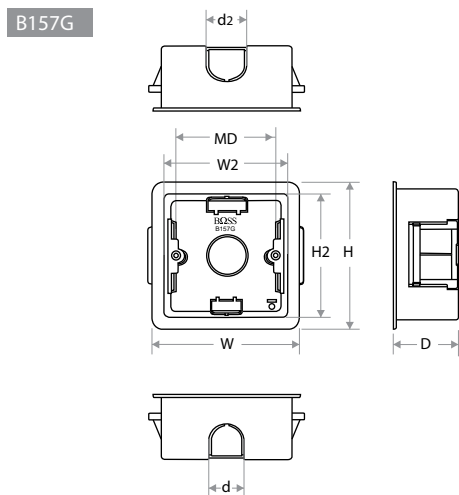
Surface Mounting Box

ORDER CODE	MATERIAL		W	H	D	MD
	PLASTIC	METAL				
B238	●		87	87	35	60.3
BT238	●		147	87	35	120.6
B20238	●		80	80	37	60.3
B8238	●		82	82	42	60.3



Dry Wall Mounting Box

ORDER CODE	MATERIAL		W	H	D	W2	H2	MD	d	d2
	PLASTIC	METAL								
B157G	●		84	84	36	74	74	60.3		
BT157G	●		143	84	36	134	74	120.6		

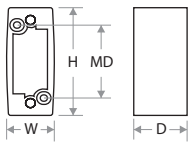


Architrave Mounting Box

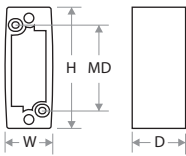
ORDER CODE	MATERIAL		W	H	D	MD
	PLASTIC	METAL				
B70/1	●		30	75	24	55
B70/2	●		30	84	24	70
B70/3	●		30	112	24	96
B70/4	●		30	140	24	124

* Apply to B30 Series only.

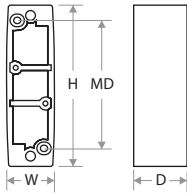
B70/1



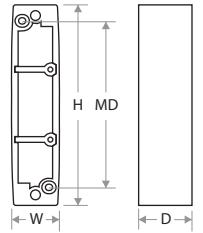
B70/2



B70/3

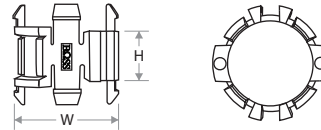


B70/4

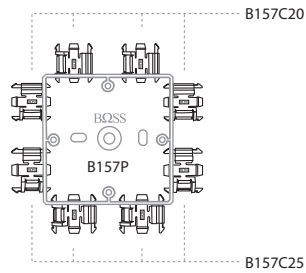
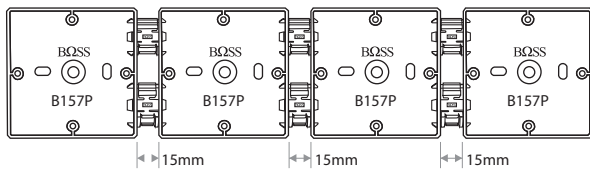


Mounting Box Spacer

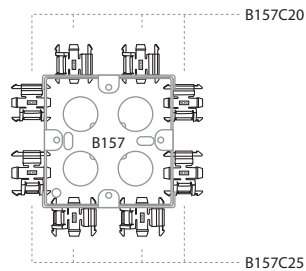
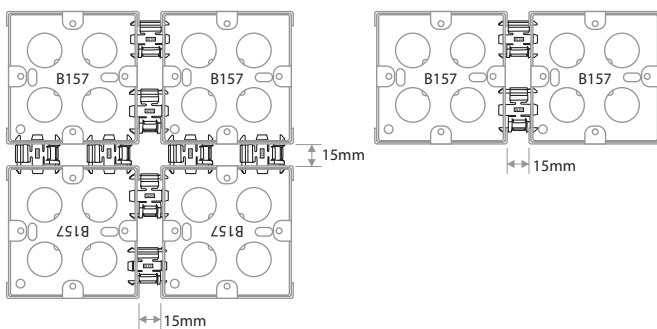
ORDER CODE	W	H
B157C20	20	15
B157C25	25	15



Application illustration on B157P



Application illustration on B157



Splash Cover

ORDER CODE	W	H	D	W2	H2	MD	IP RATING
B223 TR	101	122	46	76	76	60.3	55
BT223 TR	155	122	46	136	76	120.6	55

