

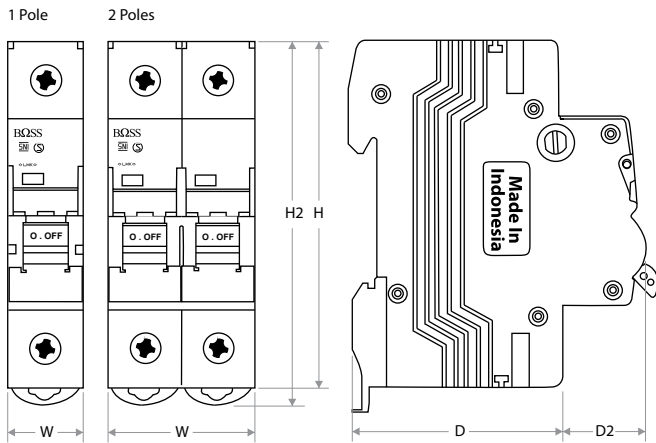


TECHNICAL INFORMATION

MCB (Miniature Circuit Breaker) & ENCLOSURE BOX

MCB

MCB Series	W	H	H2	D	D2
1 Pole	18	83	88	50	17
2 Poles	36	83	88	50	17
3 Poles	54	83	88	50	17



Rated Capacity : Phase to Neutral
230V/240V~ /
Phase to Phase
400V/415V~

Rigid Conductor : 25mm² Maximum
Flexible Conductor : 16mm² Maximum

Characteristics : B CURVE / C CURVE /
D CURVE

Capacity : 6 kA / 10kA

Standards : EN 60898 /
EN 60947-2 /
KEMA / SEMCO /
SNI / CE / ROHS

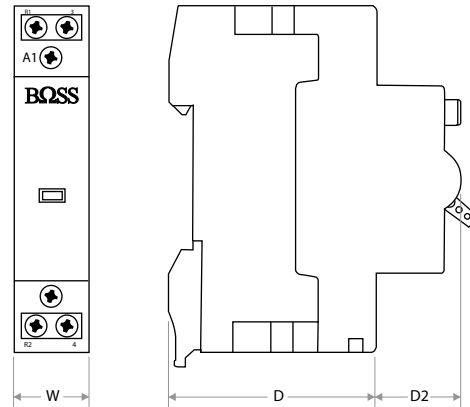
Frequency : 50/60Hz
Calibration Temp. : 30°C

Electrical : 8000
Endurance : 20000

Mechanical : 20000
Endurance

Contactors

Order Number	W	H	H2	D	D2
BCT201NO1NC	18	83	88	50	17



Rated Operating Voltage (Un) : 230VAC

Terminal capacity : 1.5-10mm²
Max backup fuse : gG 25A

Rated Control Voltage : 230V

Terminal capacity : 0.75-4mm²
Power Losses : < 1.2W

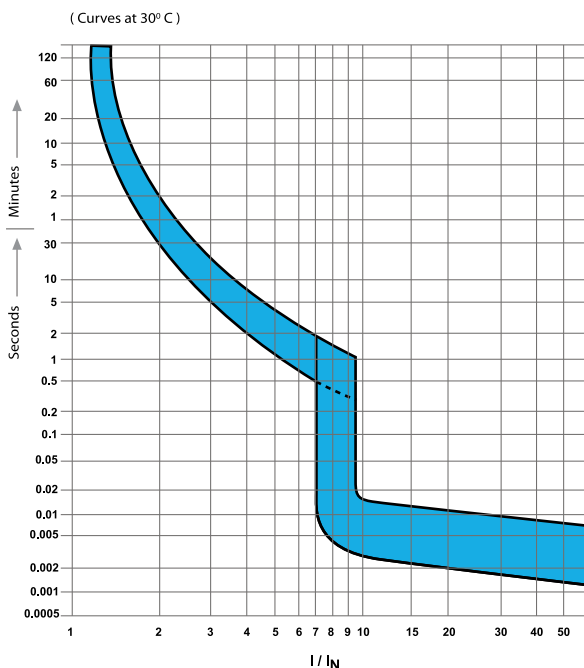
Power : at AC1 230/240 VAC
4kw 20A

Rated Operation Current : (Ie) 20A (AC7a); 9A (AC7b)

Electrical Endurance : 150.000 cycles (AC7a)
Slightly inductive loads in household appliances.
examples : mixers, blenders
150.000 cycles (AC7b)
Motor-loads for household appliances.
examples : fans, central vacuum

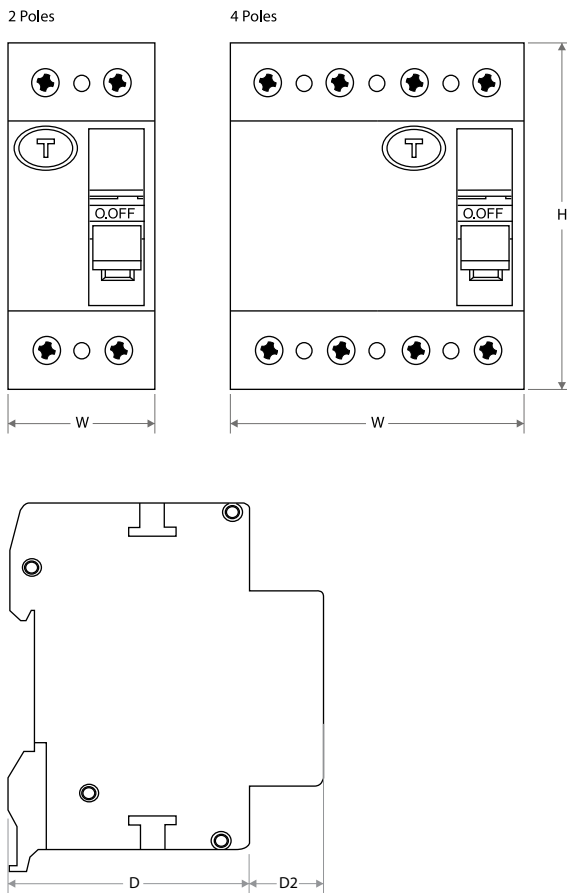
Mechanical Endurance : 1.000.000 cycles

Standard : IEC/EN 61095
IEC/EN 60947-4-1



RCCB

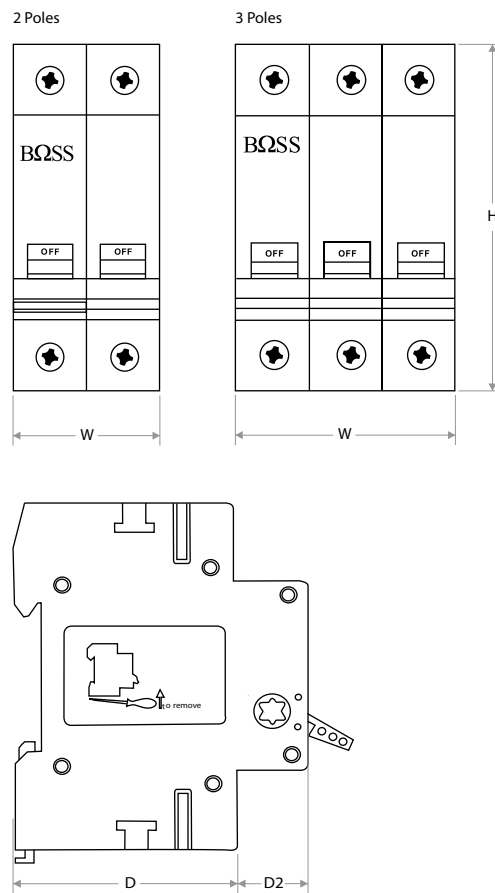
RCCB Series	W	H	H2	D	D2
2 Poles	36	83	88	50	17
4 Poles	72	83	88	50	17



Rated Capacity : 25 A, 32 A, 40 A, 63 A, 80 A, 100 A
 Rigid / Flexible Conductor: 35mm² / 25mm²
 MAXIMUM
 Calibration Temperature : 30°C
 Frequency : 50/60Hz
 Electrical Endurance : 10000
 Mechanical Endurance : 20000
 Standards : EN 61008-1 / EN 61008-2-1 / ROHS / CE
 Poles : 2P and 4P; Ue: 230 Vac (2P), 230/400 Vac (4P); 50/60 Hz;
 IΔn : 30 mA, 100 mA, 300 mA, type A and AC;
 Inc = IΔc : 6 kA; Im = IΔm: 10 In or whichever is the greater;
 500 A

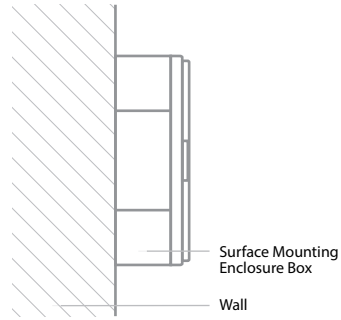
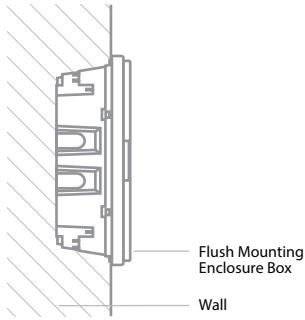
Isolator

Isolator Series	W	H	H2	D	D2
2 Poles	36	83	88	50	17
3 Poles	54	83	88	50	17



Rated Current (In) : 32, 63A
 Rated Voltage (Un) : 415V~
 Number of Poles : 2P, 3P
 Type of Terminal : lug type
 Terminal Capacity : cable up to 35mm²
 Width : 18mm/ module
 Standards : IEC60947-3
 EN60947-3

REGNUM Series



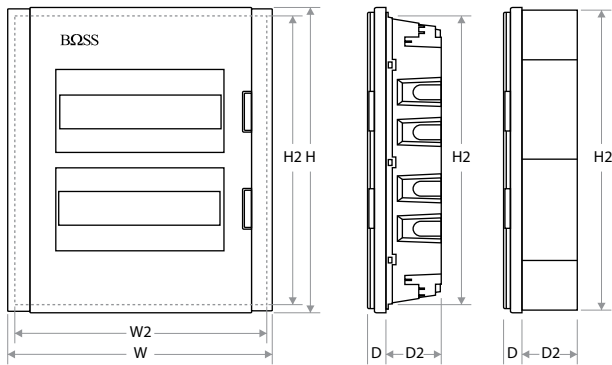
Flush Mounting

ORDER CODE	W	W2	H	H2	D	D2
BMEMF 12	357	330	282	255	27	68.5
BMEMF 24	357	330	412	385	27	68.5
BMEMF 36	357	330	542	515	27	68.5
BMEMF 48	357	330	672	645	27	68.5

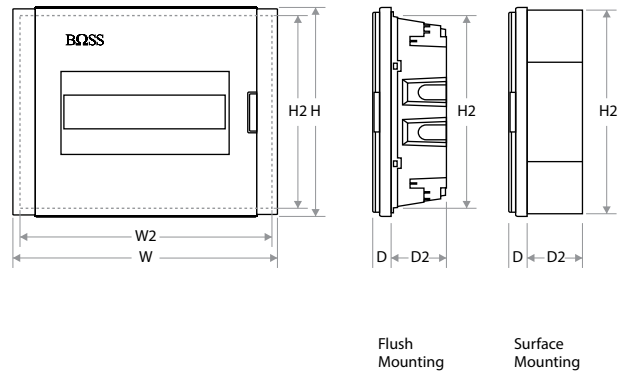
Surface Mounting

ORDER CODE	W	W2	H	H2	D	D2
BMEMS 12	357	330	282	270	27	71
BMEMS 24	357	330	412	400	27	71
BMEMS 36	357	330	542	530	27	71
BMEMS 48	357	330	672	660	27	71

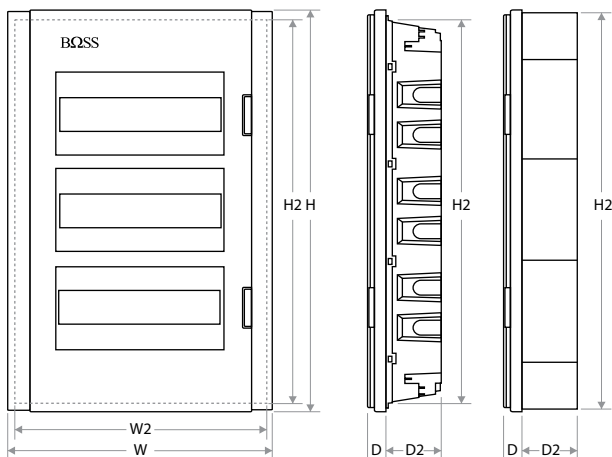
BMEMF 24



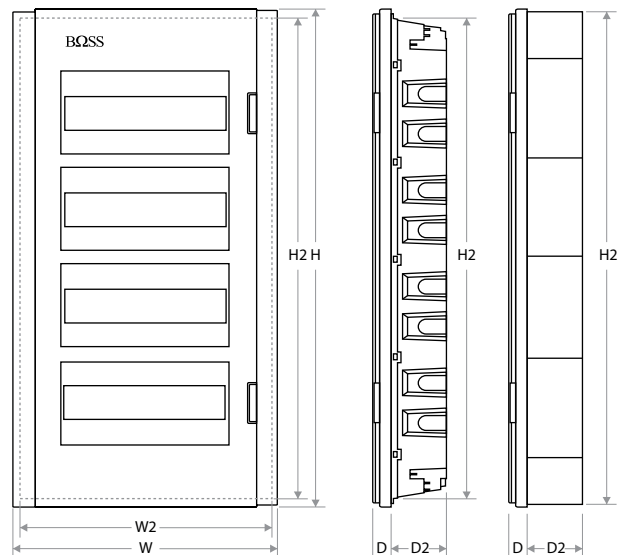
BMEMF 12



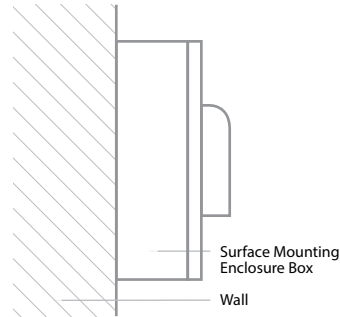
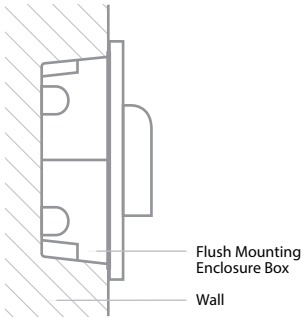
BMEMF 36



BMEMF 48



VIRES Series



Flush Mounting

ORDER CODE	W	W2	H	H2	D	D2
BMEF 4	150	105	210	171	37	60.5
BMEF 8	220	177	210	171	37	60.5
BMEF 12	294	249	210	171	37	60.5

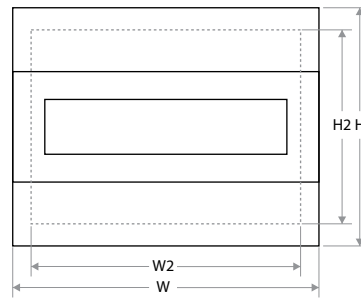
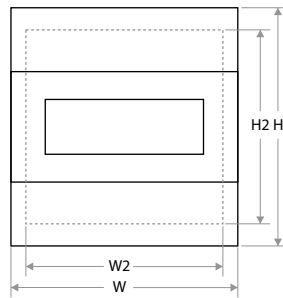
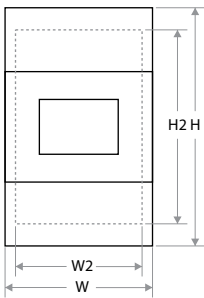
Surface Mounting

ORDER CODE	W	W2	H	H2	D	D2
BMES 4	150	105	210	210	37	63
BMES 8	220	177	210	210	37	63
BMES 12	294	249	210	210	37	63

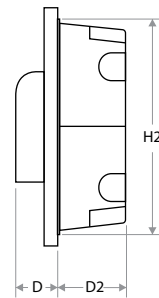
BMEF 4

BMEF 8

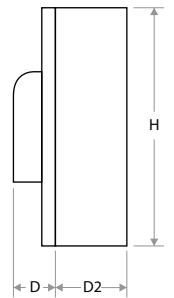
BMEF 12



Flush Mounting



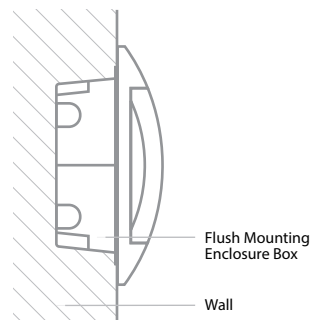
Surface Mounting



PROTINUS Series

Flush Mounting

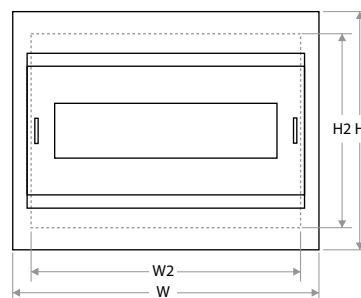
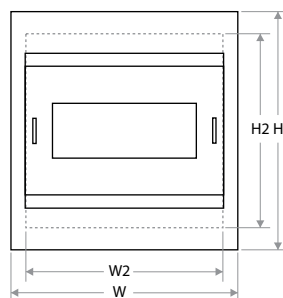
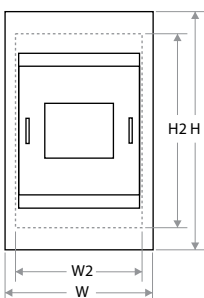
ORDER CODE	W	W2	H	H2	D	D2
BMEPF 4	150	105	210	152	39	50
BMEPF 8	220	177	210	152	39	50
BMEPF 12	294	249	210	152	39	50



BMEPF 4

BMEPF 8

BMEPF 12



Flush Mounting

